

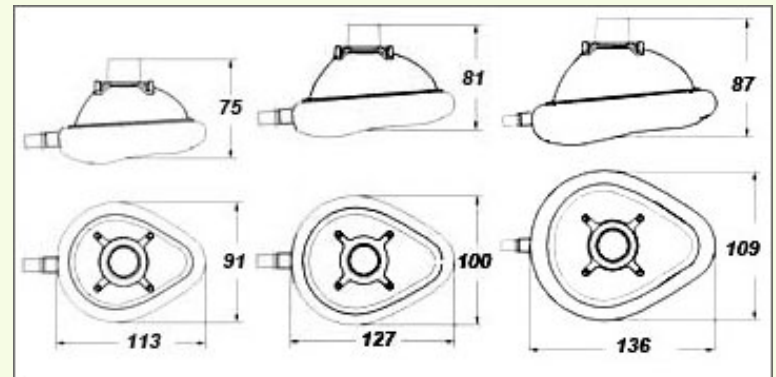
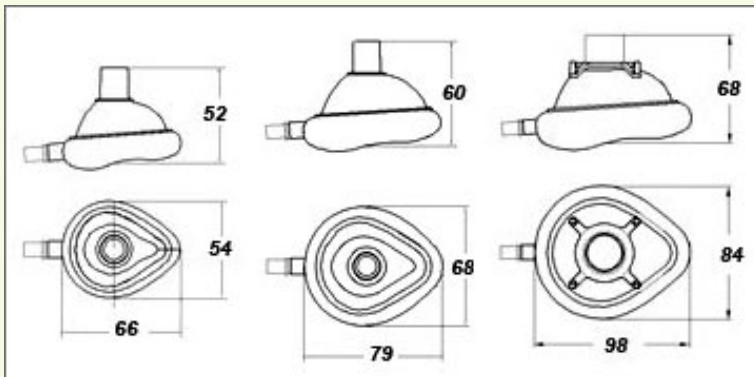


» **431300 Face Mask with Cushion**

- Disposable, thereby eliminating cross-contamination between patients
- Specially designed nose area
- 22mm color-coded retaining rings for easy identification of mask sizes
- Available in six sizes to accommodate a full range of patients
- Adjustable cushion with one way valve for luer-lock syringe tips

» **431400 Face Mask with Cushion**

- Disposable, thereby eliminating cross-contamination between patients
- Specially designed nose area
- 22mm color-coded retaining rings for easy identification of mask sizes
- Available in six sizes to accommodate a full range of patients
- Adjustable cushion with one way valve for luer-lock syringe tips



0 NEONATAL 1 INFANT 2 PEDIATRIC

3 SMALL ADULT 4 MEDIUM ADULT 5 LARGE ADULT